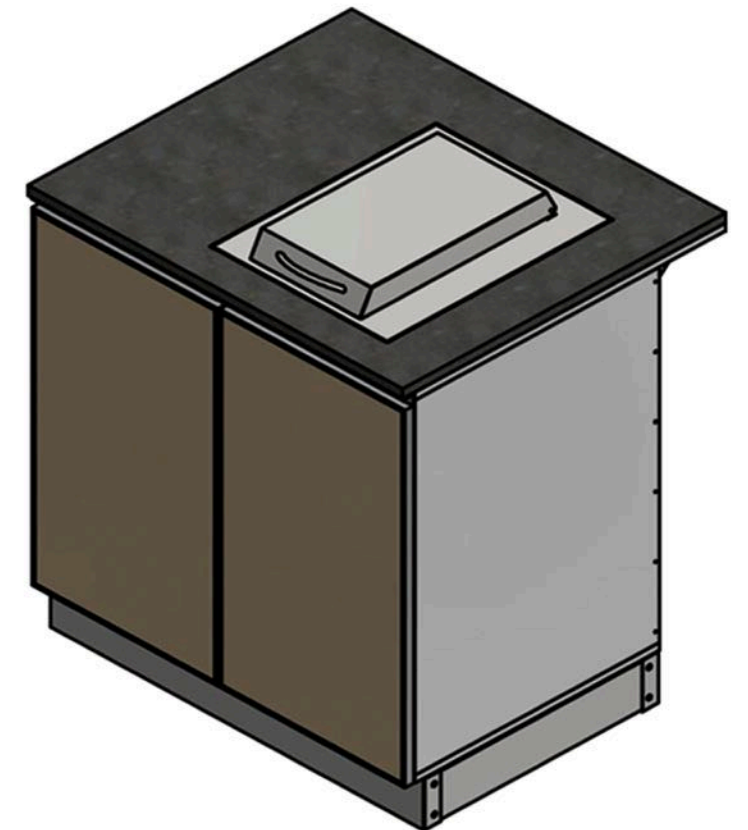
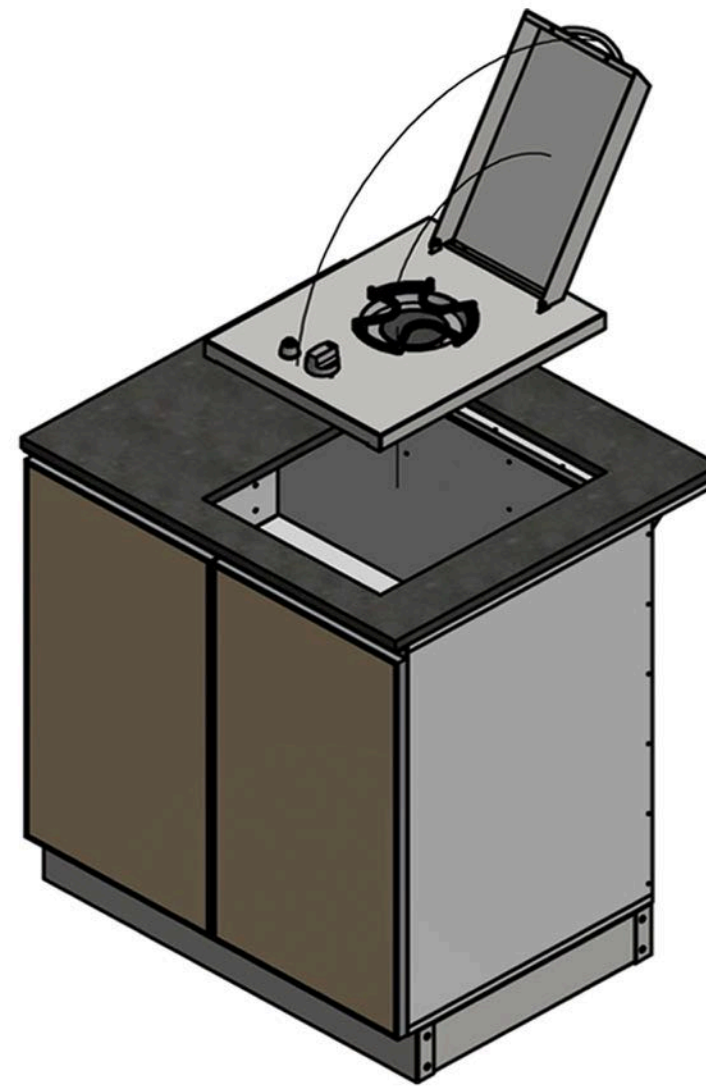
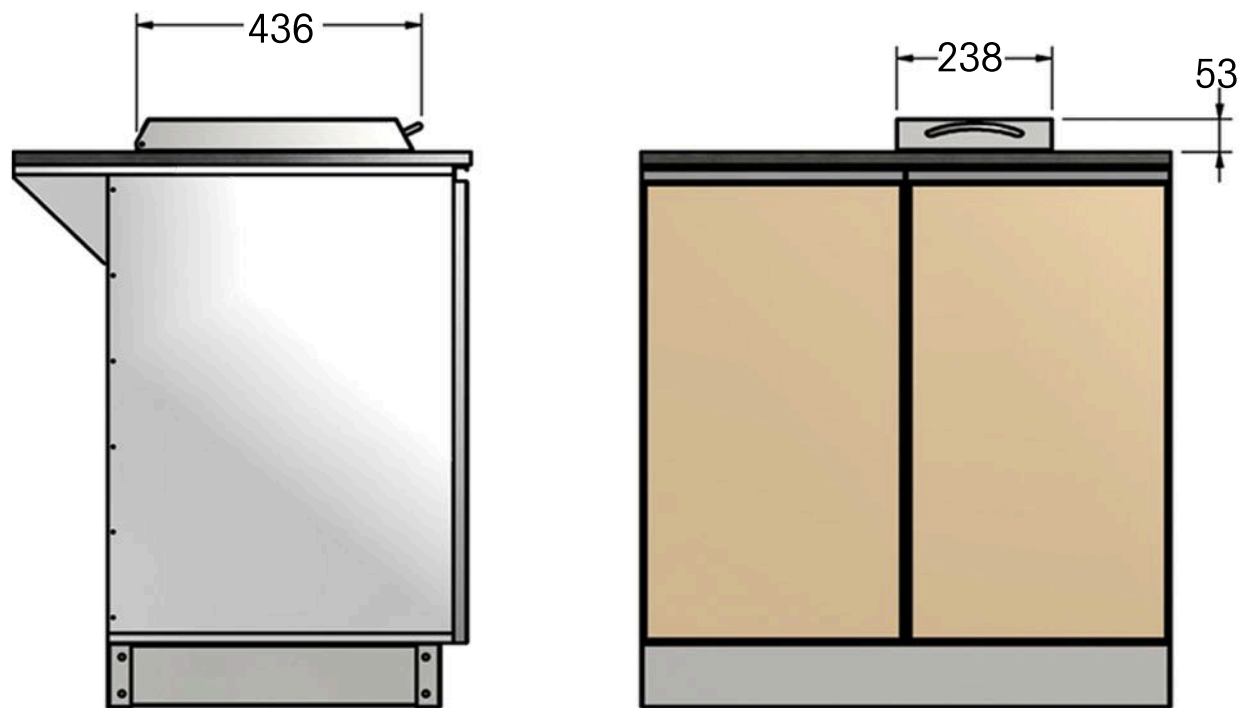
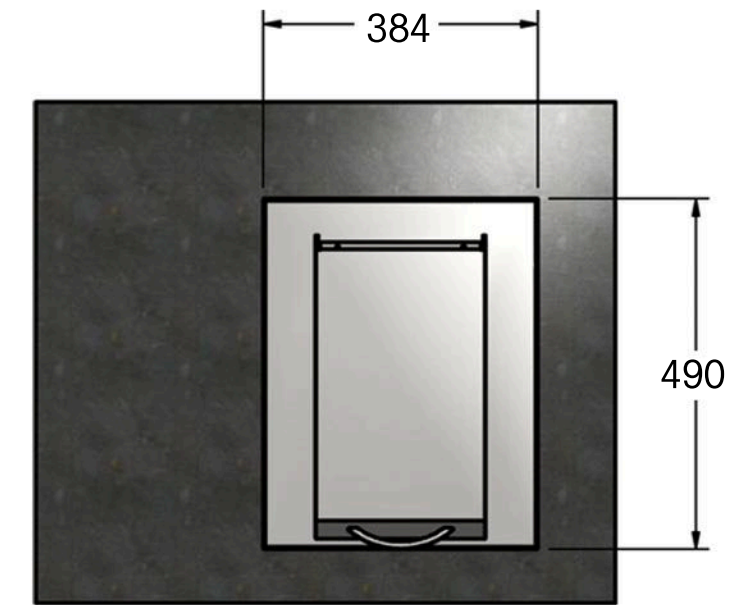


## SIDE BURNERS

Side burners can be built in too. No special brackets are required - just ensure cutout measurements are right and support from below e.g. with aluminium angles. (not supplied)



**IMPORTANT:** For trouble free installation order your BBQ to be shipped directly to your fabricator before cutting stone benchtops.